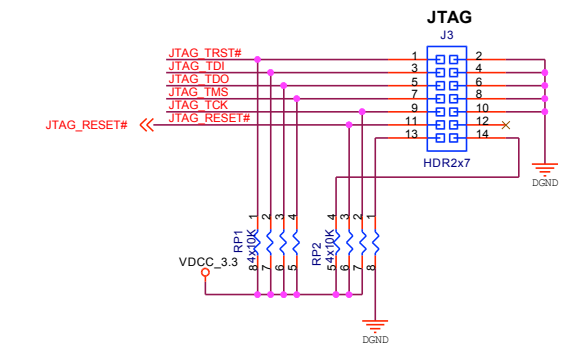
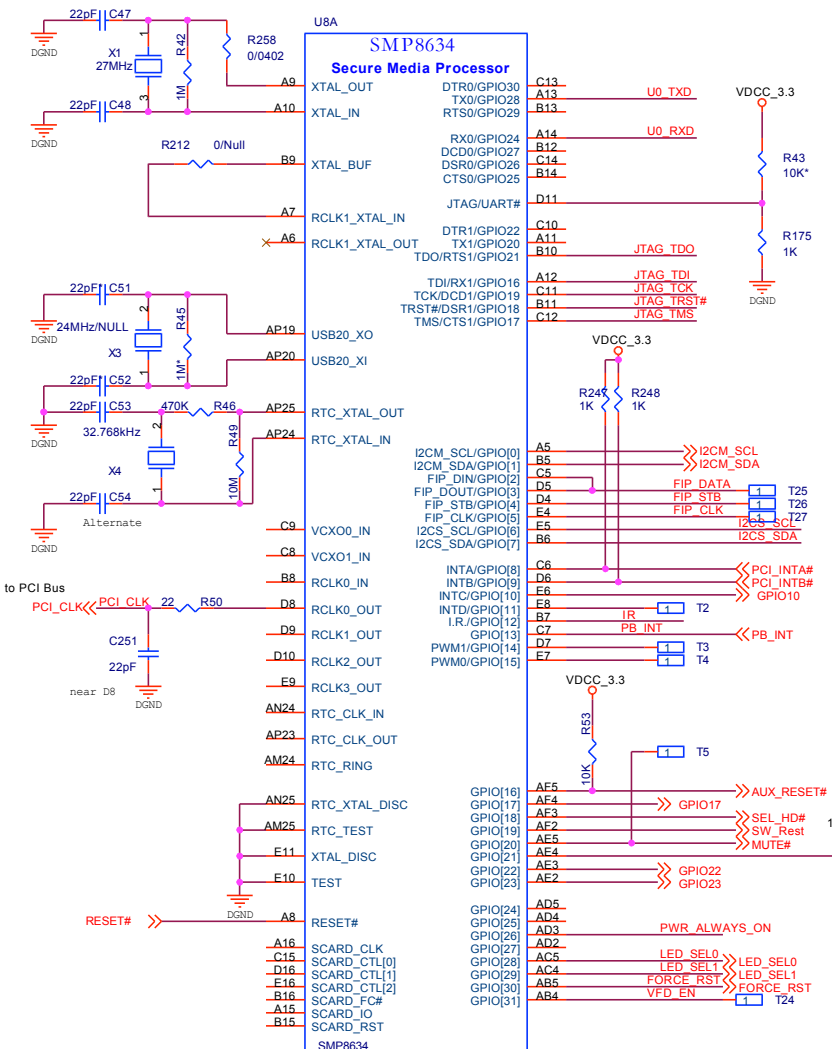


M P 2 1
Version 1

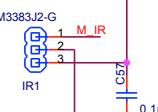


I2C

I2C



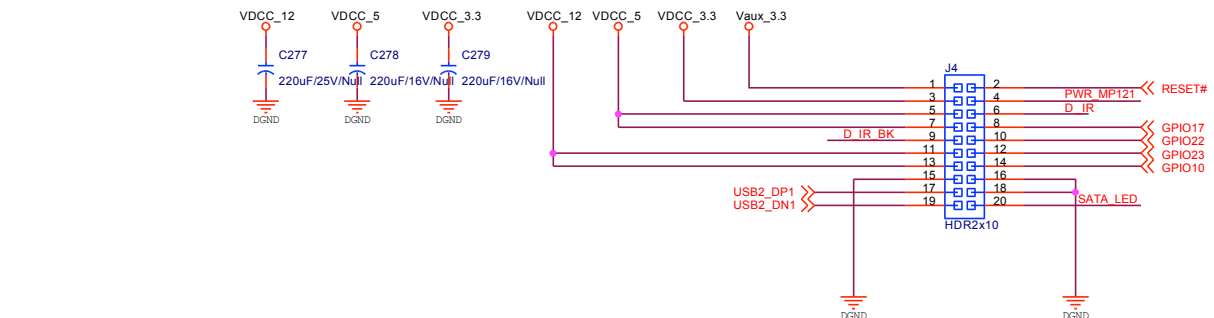
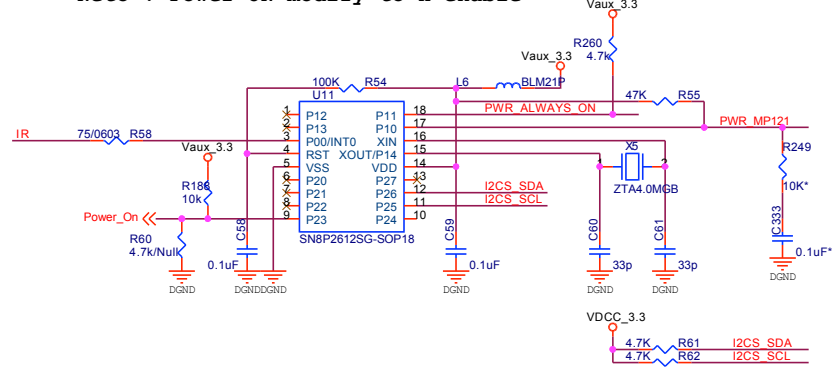
IR receiver



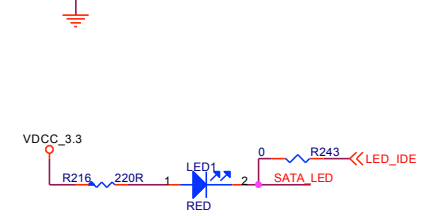
MP121 IR Receiver Enable

| | MP120 | MP121 |
|------|-------|-------|
| R213 | Yes | No |
| R214 | No | Yes |
| R215 | No | Yes |

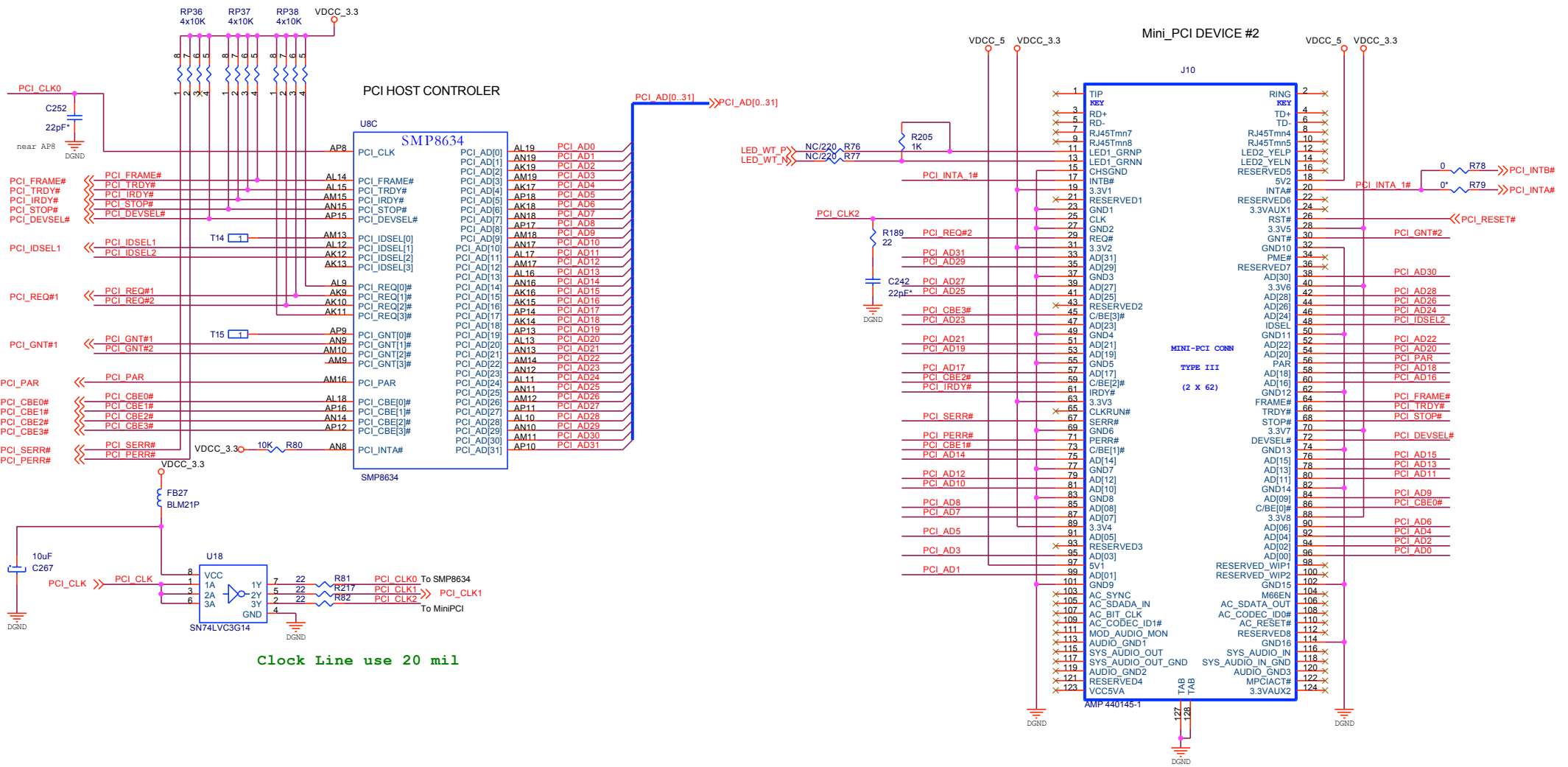
Neto : Power ON modify to H enable



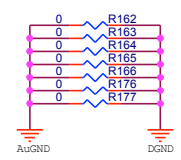
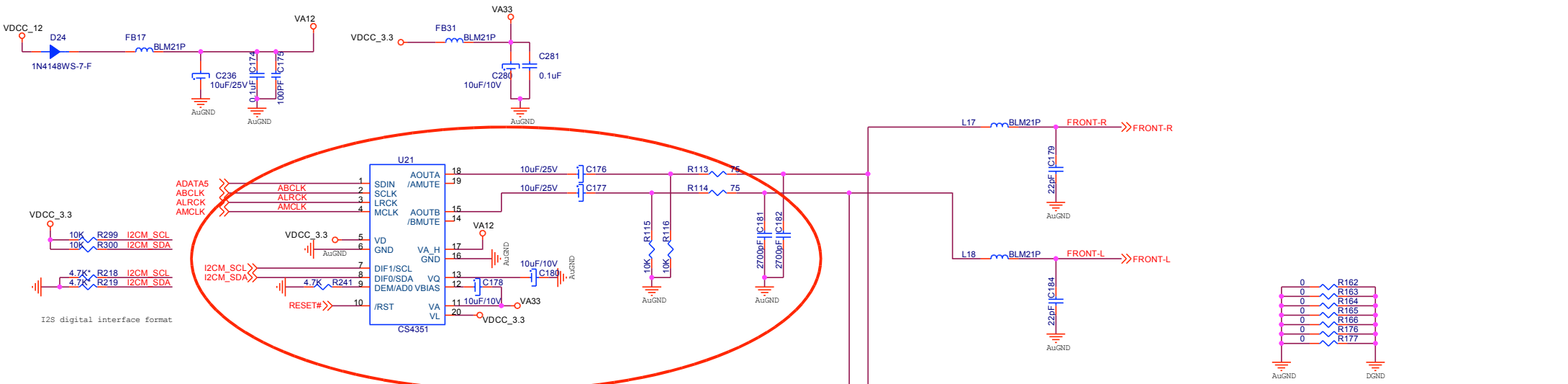
**HDMI TOP Shielding
CPU TOP Shielding
HDMI BOT Shielding**



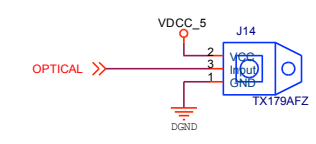
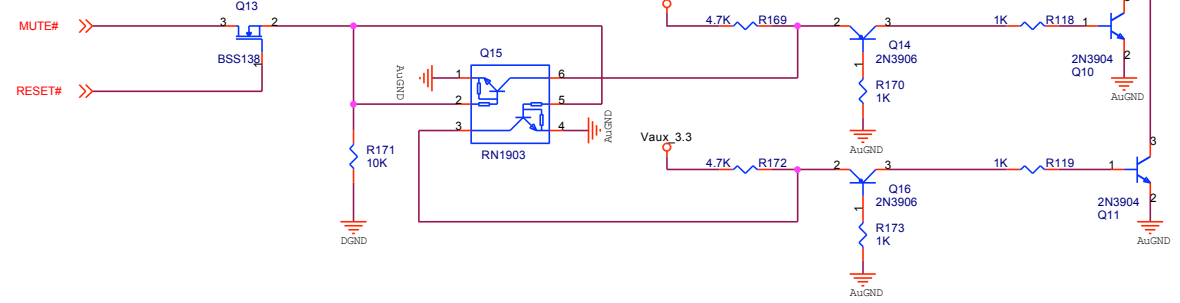
MP121 Daughter Board Connector



Clock Line use 20 mil



low = MUTE
 (default)
 high = un=MUTE



Optical OUT

